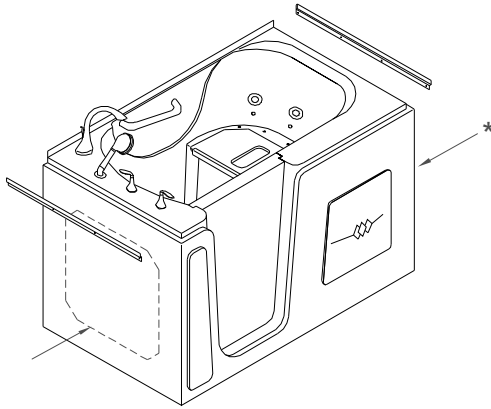
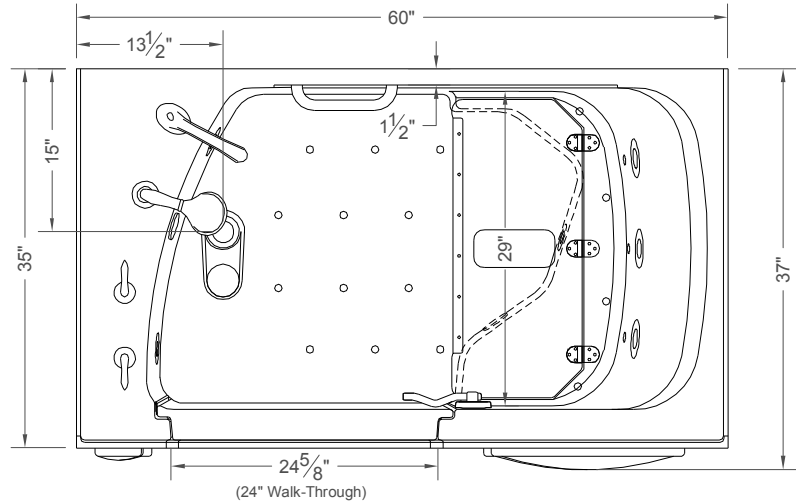


MODEL: XTWJ6035

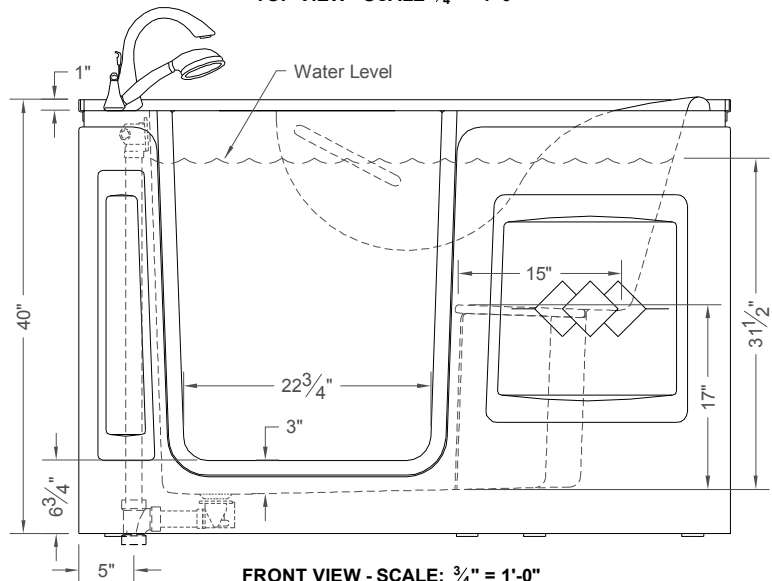
BIG E JETTED



**PERSPECTIVE VIEW - N.T.S.
MODEL SHOWN HERE AS:
LEFT HAND
PLUMBING OPTIONAL**



TOP VIEW - SCALE 3/4" = 1'-0"



FRONT VIEW - SCALE: 3/4" = 1'-0"

Features:

- Swing up seat for easy entry
- Seat height is designed for ease of sitting and standing
- Extra deep for a full body soak
- Largest door opening available
- Innovative new door handle designed for easy operation
- Allows you the freedom to rehab at home
- Installs in alcove, corner or along a wall
- *-Optional solid end panels for corner or open wall installation
- Optional extra drain for faster exit
- Optional Ozone sanitation system
- Limited lifetime warranty

PRODUCT SPECIFICATIONS:

-Extra Large Walk-in bathtub with pressure sealed door shall be of gelcoat / fiberglass construction, have an integral front skirt and magnetically attached access panels for plumbing.

C.S.I. FORMAT SPECIFICATION TEXT AVAILABLE

PRODUCT INFORMATION:

- Accessories: Factory installed Tub Bar and optional plumbing rough-in, all others installed by others
- Colors: White as standard, Almond optional
- Also available with sprayable solid surface in many colors
- Fill volume with a 400 lbs. bather: 130 gallons*
- Tub weight, dry, approx. 340 lbs. (385 on pallet)
- Total weight of tub, bather, and water: approx. 1960 lbs.

Power Requirements:
Water jet system 110V/15A
Airjet System 110V/15A

Water Pump: Syllent MB71E0032AS/UL
Air Pump: CG Air M0300-750-120/60AN
Suction Fittings: HydraBaths CF101

ACCESSORIES:

STANDARD:

- Tub bar
- Cable operated tub drain
- Side Flanges

OPTIONAL:

- Roman tub filler
- Hand shower
- Thermostatic mixing valve
- Grab bars for installation on wall surround
- Second tub drain for faster exit

*NOTE: 3/4" hot and cold supply lines are recommended to reduce fill time.

CODES:

Designed and manufactured in compliance with the following standards and codes:

- I.A.P.M.O. / A.N.S.I. Z124.1.2-2005 Plastic Bathtubs and Showers
- A.S.M.E. A112.19.7M-1995 Whirlpool Bathtub Appliances
- A.S.M.E. A112.19.8M-1987 Suction Fittings for use in Whirlpool Bathtubs
- A.S.M.E. A112.19.15-2001 Bathtubs/Whirlpool Bathtubs with pressure sealed doors
- Underwriters Laboratories 1795 Hydro Massage Bathtubs



BEST BATH SYSTEMS INC.
www.best-bath.com 1-800-727-9907

We reserve the right to make revisions without notice in the design of fixtures or in packaging unless this right has specifically been waived at the time the order is accepted.

